

Leistritz

LEISTRITZ EXTRUSIONSTECHNIK GMBH

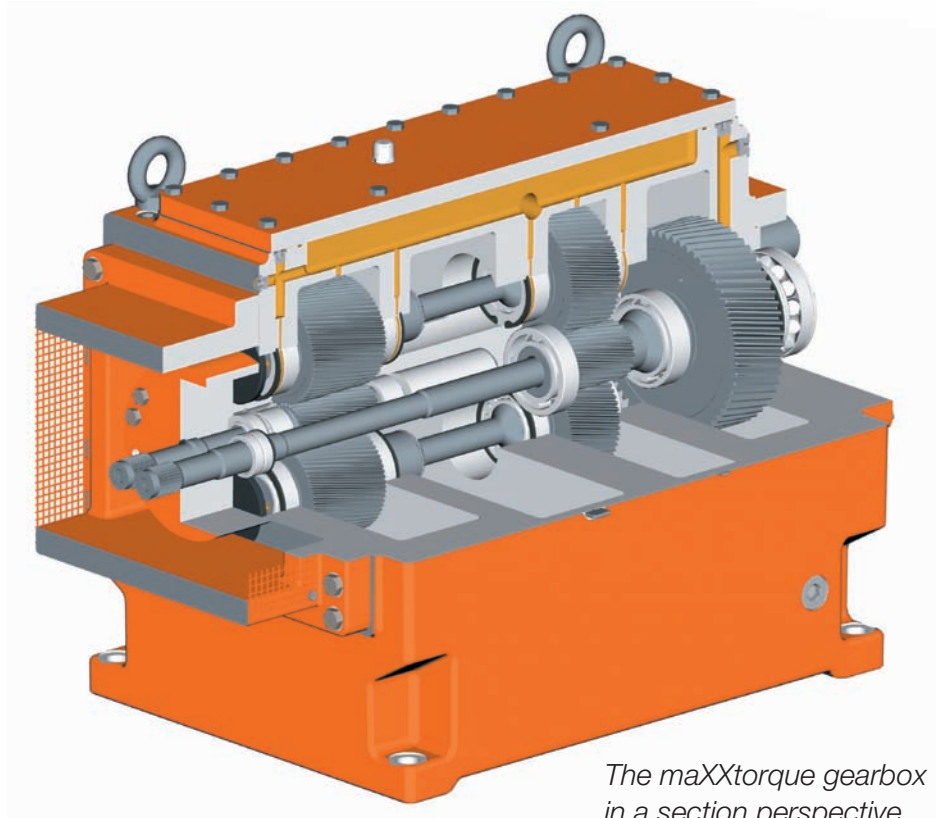


maXXtorque

The gearbox is an important factor when talking about the availability of a twin screw extruder. The transmission gear with dual power distribution is a master piece of the German art of engineering. The extremely high-power density was reached by high-quality workmanship, constant research and long-term know-how. It meets the extremely high Leistritz standards and convinces by maximum torque density at comfortable safety factors.

The advantages at a glance:

- Thick-walled housing
- Noise optimized by means of specially finished gears
- Efficiency optimized lubrication system



The maXXtorque gearbox in a section perspective

A sophisticated oil system ensures the best possible lubrication of all shafts and gears. With heavy duty oils, the lifetime of gearboxes is optimized and maintenance intervals maximized.

maXXtorque stands for the most powerful drive concept for co-rotating twin screws worldwide.

