

PUMP TECHNOLOGY

L4NC

The new Compact Screw Pump Design for the Oil & Gas Industry from Upstream to Downstream!

➤ Timing gear in helical design
➤ API-676-Conform

➤ Tailored solutions to meet operation requirements due to large variety of screw diameters and pitches

➤ Pressure range up to 25 bar

APPLICATION

Oil & Gas

Use as pipeline pump, pipeline start-up pump, produced water pump, pump for chemical injection and pump for upstream slop and drain systems.

Tank Storage

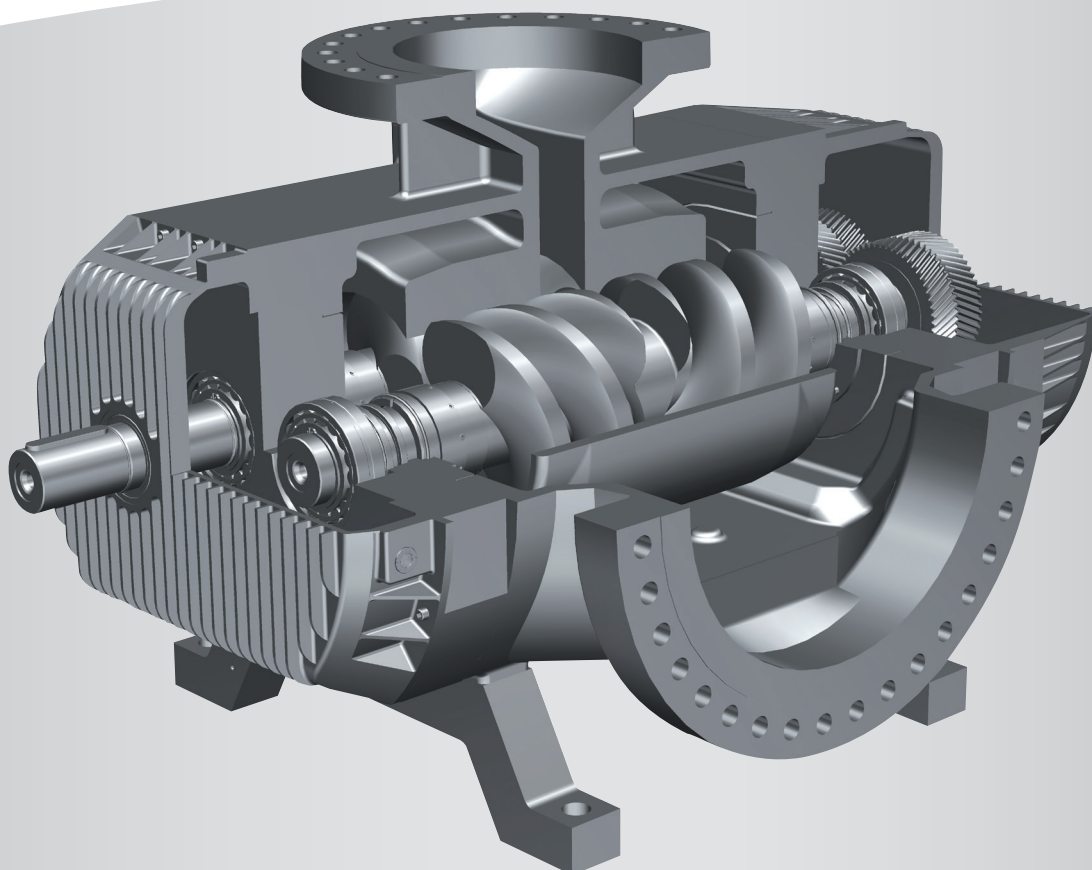
Use as loading/unloading pump, circulation pump, transfer pump, stripping pump and cargo pump for crude oil and finished products, pump for tank cleaning purposes

Shipbuilding- and offshore technology, tank farms

Use as cargo and unloading pump, transfer pump for aggressive fluids of high and low viscosities.

Chemical and petrochemical industry

Use as transfer pump for all lubricating, non-lubricating fluids from low to high viscosity such as lube oil-, crude, oil-, tar-, with contaminates, grease-, resin-, adhesive and glycerine products.





MATERIALS

Pump casing and casing parts materials of construction:	cast steel, GP240GH (1.0619) or equal
Power and idler rotors:	16MnCr5 (1.7139) nitrided
Cover:	cast iron, EN-GJL-250 (0,6025) or equal
Casing seal	NBR or FPM
Shaft seal Mech. seal	selected per operating conditions

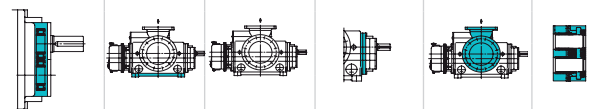
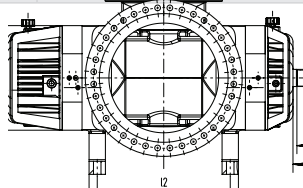
OPERATING CONDITIONS

	Min	Max
Viscosity	1 mm ² /s	10,000
Temperature	0 °C	100
Flow rate	80 m ³ /h	4,500
Suction pressure	Cavitation	5 barg
Differential pressure	0 barg	16 barg
Casing design pressure		25 barg
Speed		1,800 1/min

Upon request, Leistritz Screw Pumps Series L4 can be offered in special construction materials matching the particular application.

DESIGN CODE

Pump Series				Pump Size				Design Code						Seal
Leistritz	No. of Spindles:	Pressure Range:	Design:	OD Driving Spindle:	Pitch:	Roller Bearing:	Mounting:	Heating:	Mounting Flange:	Inlet-Outlet:	Shaft Sealing:			
L	4	N	C	-	/	External	Foot	Without	Small B14	Side in Top outlet	Mechanical Seal			
				-	135	/	29	46	63	80	-			
				-	172	/	38	65	83	105	-			
				-	230	/	51	78	106	133	-			
				-	295	/	64	98	132	166	-			
				-	295	/	95	126	158	190	-			
				-	395	/	120	146	173	200	-			
				-	450	/	130	154	177	200	-			



LEISTRITZ PUMPEN GMBH
 Markgrafenstrasse 29-39
 D-90459 Nuremberg
 Phone: +49 9 11/43 06 - 0
 Fax: +49 9 11/43 06 - 490
 E-Mail: pumps@leistritz.com
 www.leistritz.com

Subsidiaries:
 LEISTRITZ ITALIA SRL/ITALIA
 LEISTRITZ ADVANCED TECHNOLOGIES CORP./USA
 LEISTRITZ MACHINERY (TAICANG) CO., LTD./CHINA
 LEISTRITZ SEA PTE LTD/ SINGAPORE
 LEISTRITZ MIDDLE EAST FZE